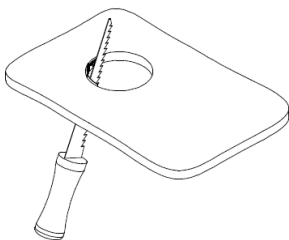


THEA 2-3-4-6 INSTALLATION INSTRUCTIONS



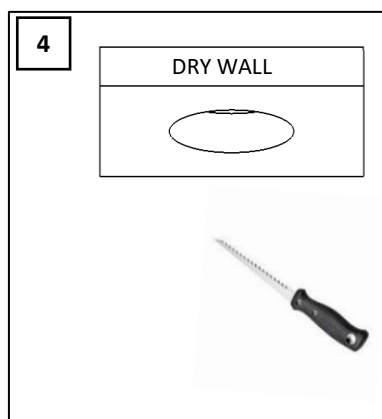
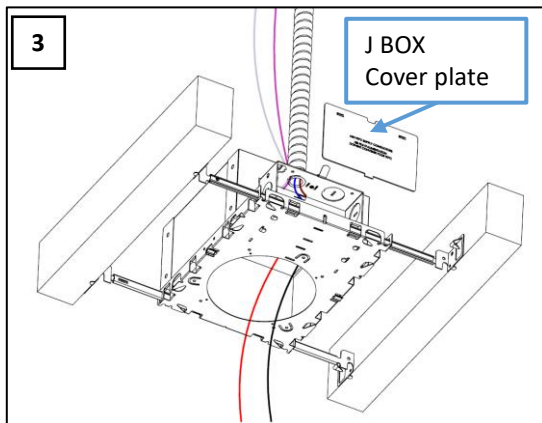
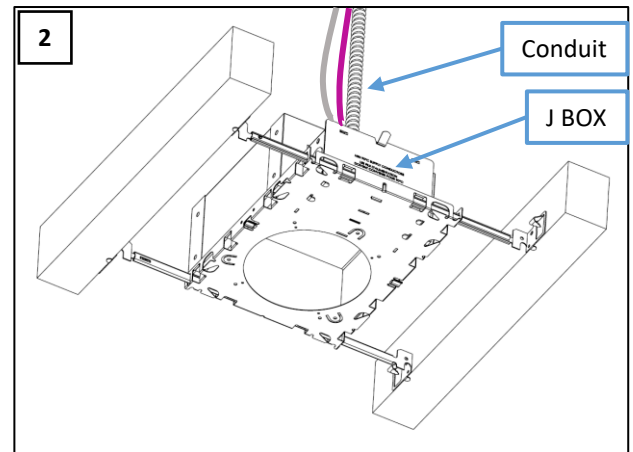
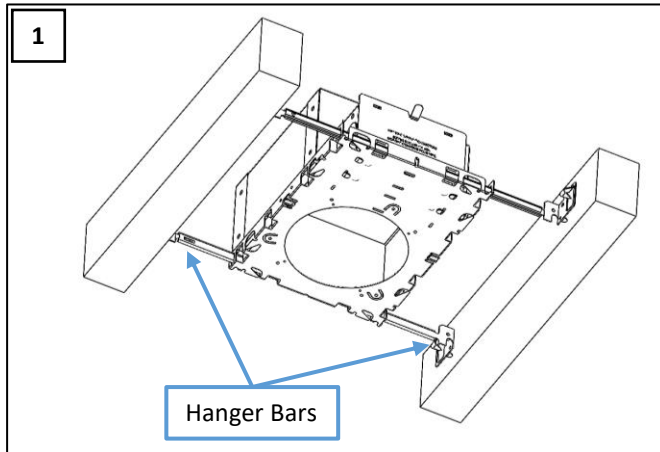
WARNING - RISK OF FIRE AND ELECTRICAL SHOCK. FIXTURE MUST BE INSTALLED BY A QUALIFIED ELECTRICIAN ONLY. FIXTURE IS INTENDED FOR INSTALLATION IN ACCORDANCE WITH THE NATIONAL ELECTRICAL CODE, LOCAL AND FEDERAL SPECIFICATIONS. DISCONNECT POWER AT ELECTRICAL PANEL BEFORE SERVICING. CONNECTION OF LUMINAIRE TO POWERED DRIVER WILL RESULT IN PERMANENT DAMAGE TO THE LED AND VOIDED PRODUCT WARRANTY. RETAIN THESE INSTRUCTIONS FOR MAINTENANCE REFERENCE.

CUTOUT TABLE



FIXTURE	CUTOUT
THEA 2	Ø1.25"/31.7 mm
THEA 3	Ø2.17"/55 mm
THEA 4	Ø3"/76.2 mm
THEA 6	Ø4"/101.6 mm

IC / NON-IC BOX INSTALLATION (NEW CONSTRUCTION)



NOTE:

IN CASE OF CLASS 2 NON-IC BOX, USE MINI RETRO FIT / RETRO FIT BOX FOR THE DRIVER.

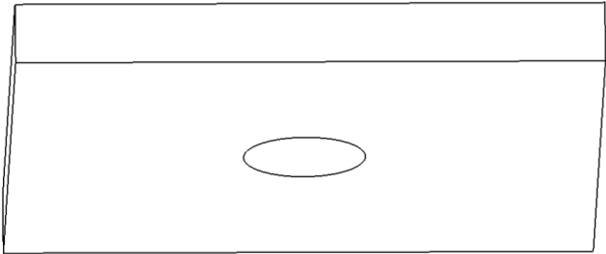
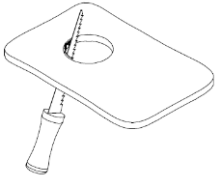
NOTE:

- IN CASE OF ELV, NON-DIM AND BLUETOOTH DRIVER, PURPLE & GRAY WIRES ARE ABSENT.
- RUNNING 0-10V DIMMING WIRES IN THE SAME CONDUIT AS LINE VOLTAGE IS NOT RECOMMENDED. THEY NEED TO BE RAN SEPARATELY OR AT LEAST SEPARATED BY A CONTINUOUS BARRIER.

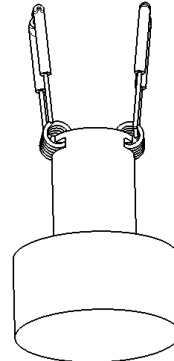
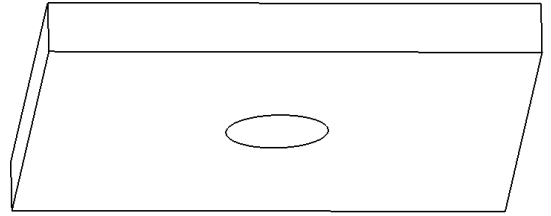
1. INSTALL IC RATED BOX USING HANGER BARS ABOVE THE CEILING. (FIGURE 1).
2. KNOCK OUT A HOLE IN THE J BOX AND RUN THE CONDUIT THROUGH IT. (FIGURE 2)
3. OPEN THE J BOX COVER PLATE AND PLACE THE DRIVER INSIDE THE J BOX AND CONNECT TO THE POWER LINES PULLED THROUGH THE CONDUIT. (FIGURE 3)
4. IF IT IS A 0-10V DRIVER, CONNECT THE WIRE (PURPLE AND GRAY) TO THE DIMMER MODULE. AND RUN THE LOW VOLTAGE WIRE (RED & BLACK) THROUGH THE IC BOX, OUT THROUGH THE OPENING BEFORE INSTALLING THE DRYWALL CEILING. (FIGURE 3)
5. CUT A HOLE IN THE DRYWALL USING THE CUT-OUT TABLE AS A REFERENCE. (FIGURE 4)

FIXTURE INSTALLATION

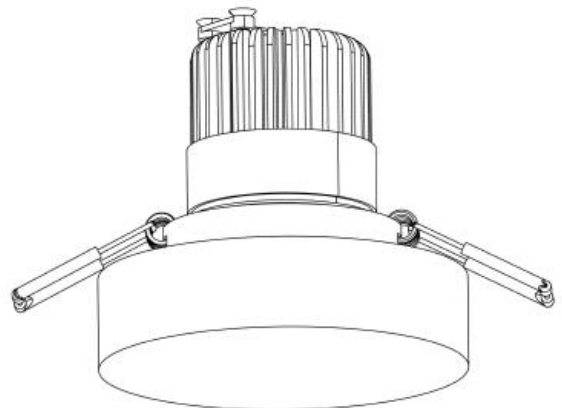
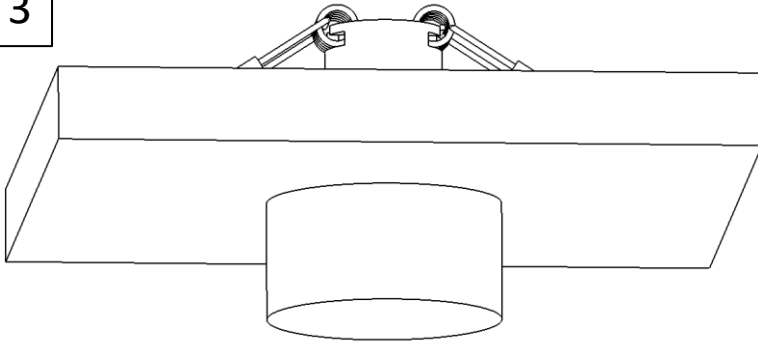
1



2



3



-
1. CUT THE HOLE IN THE CEILING (FIGURE 1) USING CUT-OUT DIMENSION ON THE CUTOUT TABLE. AFTER INSTALLING THE DRY WALL CEILING, FOR THEA 2/3/4 IT WILL NOT BE POSSIBLE TO ACCESS THE INSIDE. ATTACH THE DRY WALL CEILING AND FINISH. MAKE SURE THE FLEXIBLE CONDUIT HANGS OUT SLIGHTLY FROM THE OPENING. THE POWER LINES AS WELL AS ANY WIRING FOR DIMMING MUST ALSO BE HANGING OUT.
 2. CONNECT THE WIRES (RED AND BLACK) FROM FIXTURE TO DRIVER INSERT THE FIXTURE THROUGH THE ROUND CUT-OUT HOLE WITH THE SPRINGS EXTENDED (FIGURE 2)
 3. SWITCH ON.